

# DWDM EDFA Series

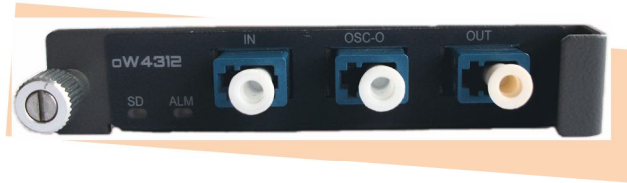
## Optical Amplifier

### OPTICAL AMPLIFIER

- oWAVE4312
- oWAVE4312B
- oWAVE4317L

### MAIN FEATURES

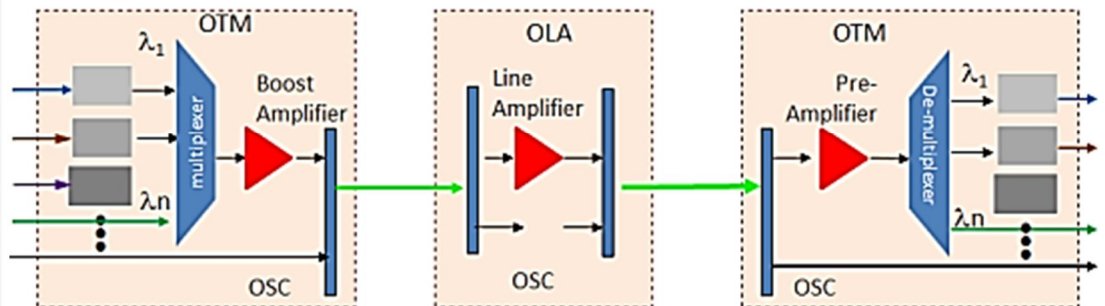
- Ultra compact
- Integrated into WDM Platform
- Hot Pluggable
- Extension capabilities reached



Erbium-Doped Fiber Amplifier (EDFA) modules boost optical signals to reduce the effect of optical power attenuation, amplifying signals in the DWDM wavelength spectrum (1528nm to 1563nm).

eWAVE's amplifier come in 3 different formats:

- Pre-amplifier: typically found at the receiver end of an optical link
- Booster amplifier: typically deployed at the output of a mux at the transmit side of an optical link
- Line amplifier: designed to increase the power level of a signal at intermediate sites along an optical link.



### Technical Specifications

EDFA Type	oWAVE4312	oWAVE4312B	oWAVE4317L
Features	Pre-Amp	Booster-Amp	Line-Amp
Rated Gain (dB)	20~30	12~18	20~30
Input Signal Power (dBm)	-12 ~ 7 (gain = 20dB)	-12 ~ 1 (gain = 12dB)	-18 ~ -2 (gain = 20dB)
	-25 ~ -12 (gain = 25dB)	-15 ~ -2 (gain = 15dB)	-23 ~ -7 (gain = 25dB)
	-30 ~ -17 (gain = 30dB)	-18 ~ -5 (gain = 18dB)	-28 ~ -12 (gain = 30dB)
Total Output Power (dBm)	12 or 15	12 or 15	17.5
Signal Wavelength Range (nm)	1546 ~ 1561	1546 ~ 1561	1546 ~ 1561
Noise Figure (dB)	Max 5.5	Max 6.0	Max 6.0